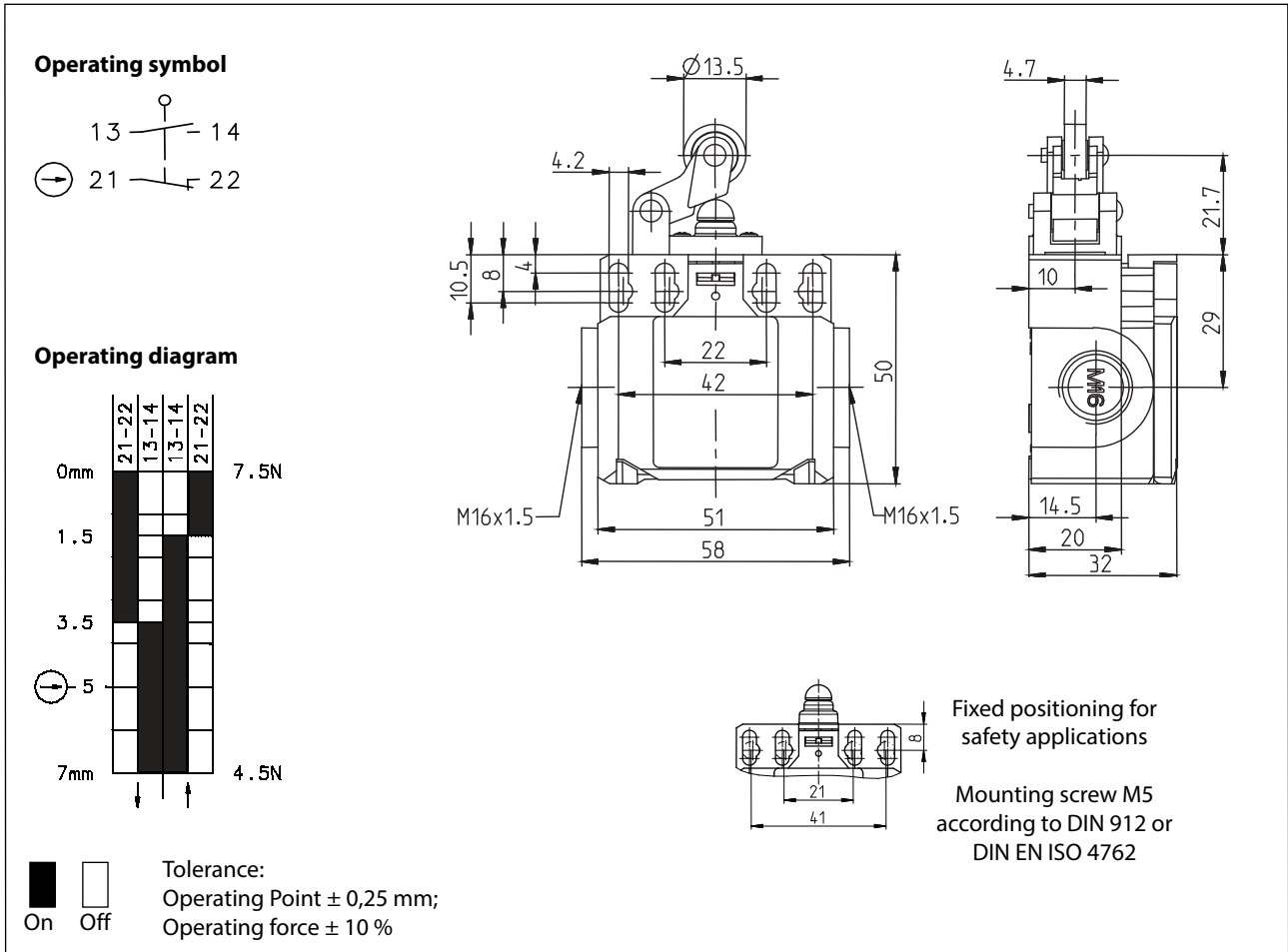


# Plastic bodied limit switch

## Series BI2

Description **BI2-SU1Z HW 180GR RO13.5**

Article number **6085171118**



Electrical Data		
Rated insulation voltage	$U_i$	400 V AC
Conv. thermal current	$I_{the}$	10 A
Rated operational voltage	$U_e$	240 V AC
Utilization category		AC15 $U_e / I_e$ 240 V / 3 A
Direct opening action	$\ominus$	acc. to IEC/EN 60947-5-1, annex K
Short-circuit protective device		Fuse 2 A gG
Protection class		II (totally insulated)

<b>Mechanical data</b>	
Enclosure	Thermoplastic, glass fibre reinforced
Cover	Thermoplastic, glass fibre reinforced
Actuator	Lever with roller (thermoplastic)
Ambient air temperature	-30 °C ... +80 °C
Contact type	1 NC, 1 NO (Zb)
Mechanical life	10 x 10 <sup>6</sup> operating cycles
Switching frequency	≤ 100 / min.
Assembly	2 x M4 / 2 x M5 / 2 x M3 front mounting
Connection	4 screw connections (M3,5)
Conductor cross-sections	Solid: 0,5 ... 1,5 mm <sup>2</sup> Litz wire with ferrules: 0,5 ... 1,5 mm <sup>2</sup>
Cable entrance	2 x M16 x 1,5
Weight	≈ 0,09 kg
Installation position	operator definable
Protection type	IP65 acc. to IEC/EN 60529; DIN VDE 0470 T1

<b>ID for safety engineering</b>	
B10d	20 x 10 <sup>6</sup> cycles

<b>Actuation</b>
<p>The actuating device is preferably started from 1 side. By loosening the 4 screws the actuation assembly can be rotated in 90 degree increments such that 4 actuation directions are possible. The actuation assembly is to be again fastened to the housing using the 4 screws. Standards VDE 0660 T100, DIN EN 60947</p>

<b>Standards</b>
VDE 0660 T100, DIN EN 60947-1, IEC 60947-1
VDE 0660 T200, DIN EN 60947-5-1, IEC 60947-5-1
DIN EN ISO 13849-1

<b>EU Conformity</b>
acc. to directive 2014/35/EU

<b>Approvals</b>
c <sub>CSA</sub> <sub>US</sub> A300, Q300
CCC

<b>Notes</b>
The degree of protection specified (IP code) applies only to a properly closed protective guard and the use of an equivalent cable gland with adequate cable.